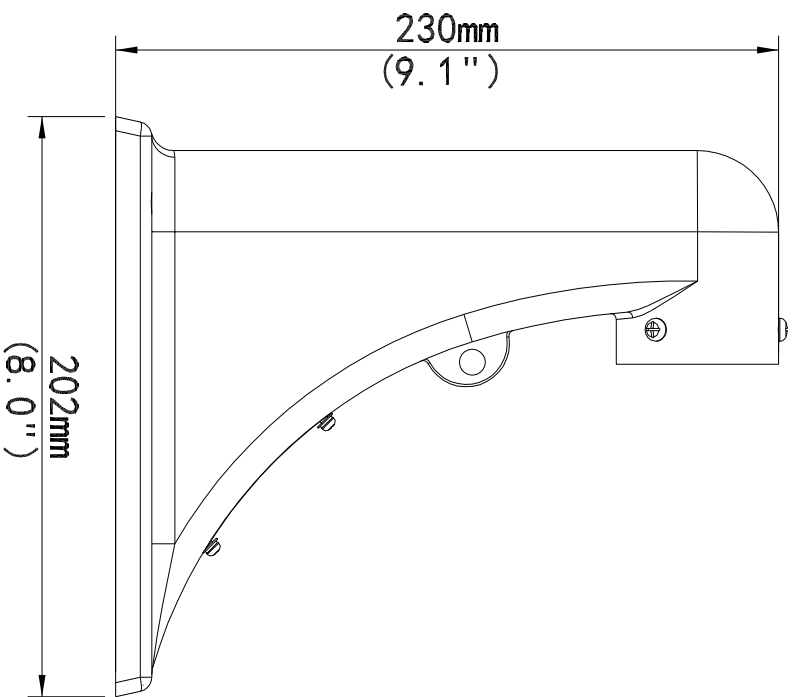
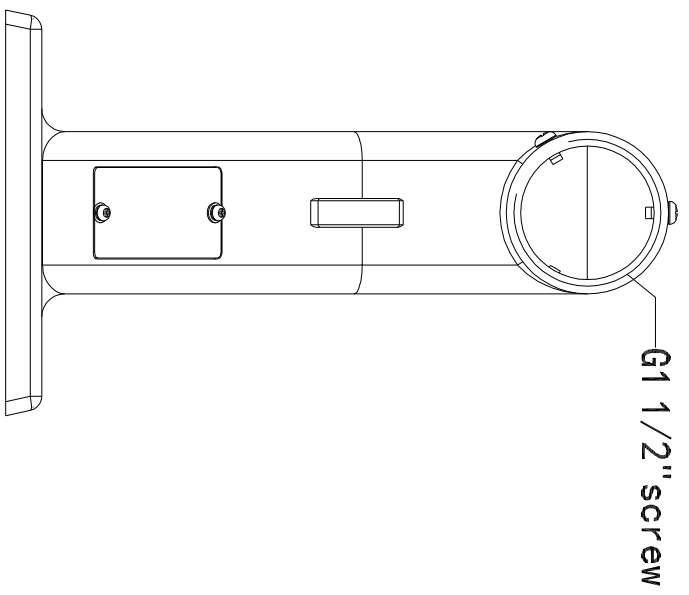
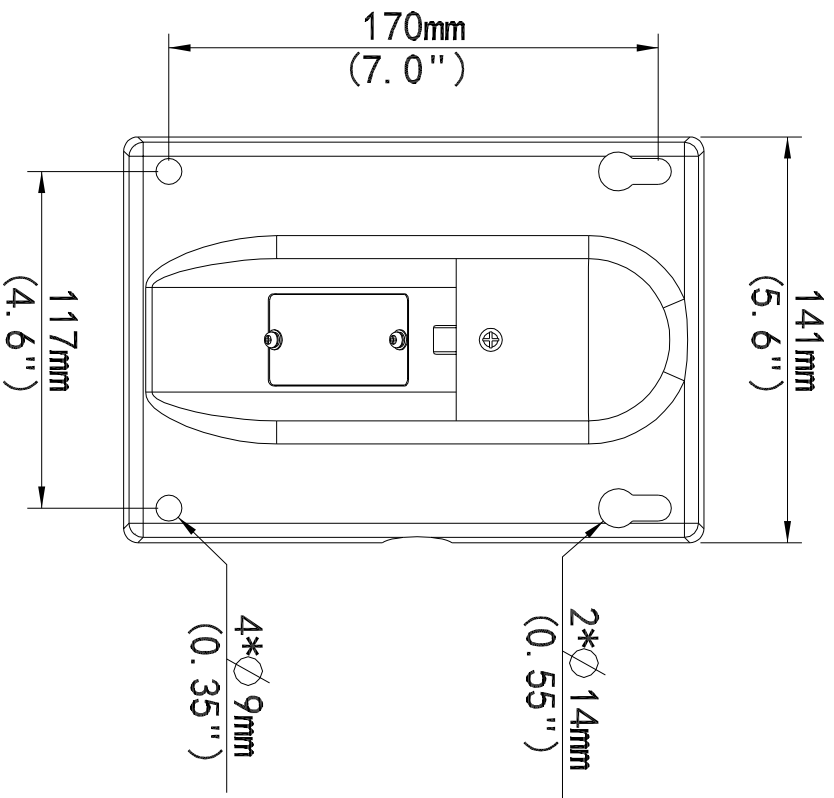


RELEASE LEVEL:  
FILE NAME:



球机短壁装支架

TITLE:		球机短壁装支架	
DRAW:	DATE:	UNIT-S:	MM
CHKD:	DATE:	FINISH:	
STAD:	DATE:	MASS(Kg):	0.79
APPD:	DATE:	SCALE:	
DWG NO.:		AE-TR-WE45/TR-WE45-IN	
PART NO.:		21150000 / 21150037	
REV:			