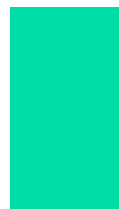
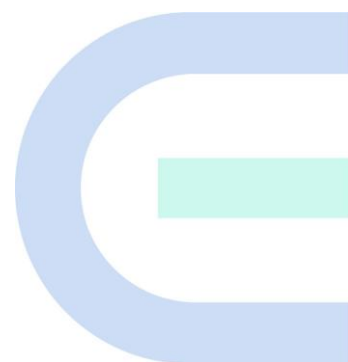


Ruijie Reyee RG-EST310 V2 Wireless Bridge

Hardware Installation and Reference Guide



Copyright

Copyright © 2024 Ruijie Networks

All rights are reserved in this document and this statement.

Any reproduction, excerption, backup, modification, transmission, translation or commercial use of this document or any portion of this document, in any form or by any means, without the prior written consent of Ruijie Networks is prohibited.

Trademarks including , ,  are owned by Ruijie Networks.

All other trademarks or registered trademarks mentioned in this document are owned by their respective owners.

Disclaimer

The products, services or features you purchase are subject to commercial contracts and terms. Some or all of the products, services or features described in this document may not be within the scope of your purchase or use. Unless otherwise agreed in the contract, Ruijie Networks does not make any express or implied statement or guarantee for the content of this document.

Due to product version upgrades or other reasons, the content of this document will be updated from time to time. Ruijie Networks reserves the right to modify the content of the document without any notice or prompt.

This manual is for reference only. Ruijie Networks endeavors to ensure content accuracy and will not shoulder any responsibility for losses and damages caused due to content omissions, inaccuracies or errors.

Preface

Intended Audience

This document is intended for:

- Network engineers
- Technical support and servicing engineers
- Network administrators

Technical Support

- The official website of Ruijie Reyee: <https://www.ruijienetworks.com/products/reyee>
- Technical Support Website: <https://www.ruijienetworks.com/support>
- Case Portal: <https://www.ruijienetworks.com/support/caseportal>
- Community: <https://community.ruijienetworks.com>
- Technical Support Email: service_rj@ruijienetworks.com
- Online Robot/Live Chat: <https://ruijienetworks.com/rita>

Conventions

1. Signs

The signs used in this document are described as below:

Danger

An alert that calls attention to safety operation instructions that if not understood or followed when operating the device can result in physical injury.

Warning

An alert that calls attention to important rules and information that if not understood or followed can result in data loss or equipment damage.

Caution

An alert that calls attention to essential information that if not understood or followed can result in function failure or performance degradation.

Note

An alert that contains additional or supplementary information that if not understood or followed will not lead to serious consequences.

Specification

An alert that contains a description of product or version support.

2. Note

This manual provides the device installation steps, hardware troubleshooting, module technical specifications, and specifications and usage guidelines for cables and connectors. It is intended for the users who have some experience in installing and maintaining network hardware. At the same time, it is assumed that the users are already familiar with the related terms and concepts.

Contents

Preface	I
1 Product Overview	1
1.1 RG-EST310 V2.....	1
1.2 Package Contents.....	1
1.3 Appearance	1
1.3.1 Port & Button.....	3
1.3.2 Power Supply	3
1.4 Device Specification	4
1.5 Power Specification	5
1.6 Heat Dissipation.....	6
2 Safety Precautions	7
2.1 Safety Precautions.....	7
2.1.1 General Safety Precautions.....	7
2.1.2 Handling Safety.....	7
2.1.3 Electric Safety	7
2.2 Installation Environment Requirements.....	8
2.2.1 Environment Requirements	8
2.2.2 Ventilation Requirements.....	8
2.2.3 Temperature/Humidity Requirements	8
2.2.4 Waterproof Requirements.....	9
2.2.5 Anti-interference Requirements	9
2.3 Tools	9
3 Installing the Device	10

3.1 Installation Procedure	10
3.2 Preparing.....	10
3.3 Precautions	10
3.4 Mounting the Device	11
3.4.1 Wall Mounting	11
3.4.2 Pole Mounting	12
3.5 Connecting Cables.....	12
3.6 Verifying Installation.....	13
4 Verifying Operating Status.....	14
4.1 Setting up Configuration Environment.....	14
4.2 Checking Environment before/after Power-on	14
5 Monitoring and Maintenance.....	15
5.1 Monitoring	15
5.2 Maintenance	15
6 Troubleshooting.....	16
6.1 General Troubleshooting Procedure	16
7 Appendix A Connectors and Media Description.....	17

1 Product Overview

1.1 RG-EST310 V2

The RG-EST310 V2 is an 802.11ac wireless bridge launched by Ruijie Reyee. It provides services such as surveillance video backhaul and wireless remote transmission in elevators, tower cranes, factories, parks, construction sites and other scenarios. RG-EST310 V2 works in the 5GHz frequency band, supports two spatial streams and 2 x 2 MIMO, and provides a wireless transmission speed of up to 867Mbps, which is sufficient to meet the bandwidth requirements of user services for data links.

1.2 Package Contents

Table 1-1 Package Contents

No.	Item	Quantity
1	RG-EST310 V2 (Network Video Recorder Side)	1
2	RG-EST310 V2 (Camera Side)	1
3	24 V/0.6 A Non-Standard PoE Adapter	2
4	Bracket	2
5	Hardware Installation and Reference Guide	1
6	Hose Clamp	4
7	Wall Anchor and Self-Tapping Screw	4

Note

A normal delivery should contain the above mentioned items, which may differ from the actual delivery, depending on purchase contracts. Please check your goods carefully against the Package Contents or purchase contract. If you have any questions or there are any errors, please contact your distributor.

1.3 Appearance

Figure 1-1 Appearance

Front View



Rear View

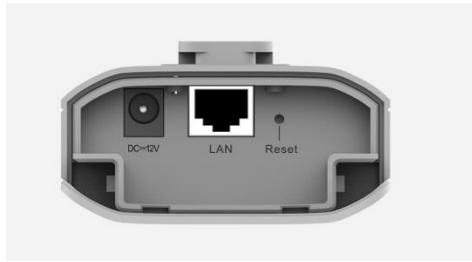


i Note

The label is located on the back of the device.

1.3.1 Port & Button

Figure 1-2 Port & Button



Note	<ol style="list-style-type: none"> 1. 12 VDC Port 2. 10/100Base-T Ethernet Port (PoE-capable) 3. Reset button
------	--

1.3.2 Power Supply

RG-EST310 V2 adopts 12 V/1 A DC or 24 V non-standard PoE power supply. The device is delivered with a 24 V/0.5A power adapter.

⚠ Caution

Please do not use a switch or a PoE adapter of another model for power supply. Otherwise, the device may be damaged.

Table 1-2 LED Description

LED	Status	Description
System Status LED	Off	System is not powered on.
	Solid On	Initiation process is complete.
	Slow Blinking	System is working but there is an alert.
	Fast Blinking	System is being initialized.
Port Status LED	Solid On	The LAN port is not receiving or transmitting data.
	Blinking	The LAN port is receiving or transmitting data.
Signal LED	LED 1 is solid on.	-73 dBm < RSSI < -59 dBm
	LED 1 and LED 2 are solid on.	RSSI > -59 dBm
	LED 1, LED 2 and LED 3 are solid on.	RSSI > -49 dBm
	Off	There is no signal.

Table 1-3 Reset Button Description

Button	Function	Operation
Reset	Reboot	Press the button for 2 seconds, and the device will be rebooted.
	Reset	Press the button for over 5 seconds, and the device will be reset.
	No Action	Press the button for 2 to 5 seconds.

1.4 Device Specification

Table 1-4 Specification

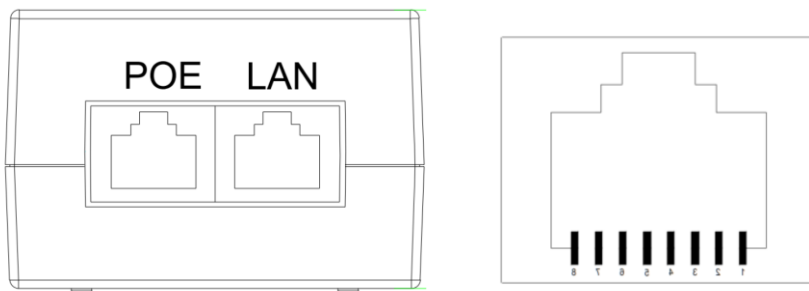
Radio Design	Single-Frequency Dual-Stream
Transmission Protocol	802.11 a/n/ac
Operating Frequency	802.11a/n/ac: 5.150 ~ 5.350GHz, 5.470 ~ 5.725GHz, 5.725 ~ 5.850GHz United States:802.11a/n/ac:5.180~5.240GHz , 5.745~5.825GHz
Antenna Type	Built-in Directional Antenna, Horizontal 60°, Vertical 30°
Spatial Streams	2
Max Throughput	The 5GHz frequency band provides a wireless transmission speed of up to 867Mbps.
Modulation Types	OFDM: BPSK@6/9Mbps, QPSK@12/18Mbps, 16-QAM@24Mbps, 64-QAM@48/54Mbps OFDM: BPSK, QPSK,16QAM, 64QAM, 256QAM
Receiver sensitivity	802.11a: -89 dBm (6 Mbps), -80 dBm (24 Mbps), -76 dBm (36 Mbps), -71 dBm (54 Mbps) 802.11n: -83 dBm@MCS0, -65 dBm@MCS7, -83 dBm@MCS8, -65 dBm@MCS15 802.11ac: -86 dBm(MCS0), -63 dBm(MCS9)
Max Transmit Power	400mw (26dBm) (Single-Stream)
Transmit Power Adjustment	1 dBm
Dimensions (L x W x H, without bracket)	147 mm x 76 mm x 37 mm (5.78 in. x 2.99 in. x 1.46 in.)
Weight	0.35 kg (0.77 lbs.)

Service Ports	One 10/100BASE-T port, supporting 24 V non-standard PoE power supply
Management Ports	N/A
Status LED	One system LED, one Ethernet port LED, and three signal LEDs
Power Supply Method	12 VDC and 24 V non-standard PoE power supply
Max Power Consumption	7 W
Bluetooth 5.0	Not supported
Temperature	Operating Temperature: -30°C to 55°C (-22°F to 131°F)
	Storage Temperature: -40°C to 70°C (-40°F to 158°F)
	Operating Humidity: 5% to 95% RH (non-condensing)
	Storage Humidity: 5% to 95% RH (non-condensing)
Installation Methods	Wall Mounting/Pole Mounting
Certification	CE
MTBF	>400000H

1.5 Power Specification

RG-EST310 V2.0 adopts 12 VDC or 24 V/0.6 A non-standard PoE power supply.

Figure 1-3 Non-Standard PoE Adapter



- RJ45 Connector for LAN: 1, 2, 3 and 6 are data cables. 4 and 5 connect the positive post. 7 and 8 connect the negative post.
- RJ45 Connector for PoE: 1, 2, 3 and 6 are data cables. 4 and 5 connect the positive post. 7 and 8 connect the negative post.

 Caution

Please do not use a switch or a PoE adapter of another model for power supply. Otherwise, the device may be damaged.

1.6 Heat Dissipation

RG-EST310 V2 adopts a fanless design. Leave sufficient space around the device for ventilation

2 Safety Precautions

2.1 Safety Precautions

Note

- To prevent device damage and physical injury, please read carefully the safety recommendations described in this chapter.
 - The following safety suggestions do not cover all possible dangers.
-

2.1.1 General Safety Precautions

- Do not expose the device to high temperature, dusts, or harmful gases. Do not install the device in an inflammable or explosive environment. Keep the device away from EMI sources such as large radar stations, radio stations, and substations. Do not subject the device to unstable voltage, vibration, and noises.
 - The installation site should be far away from the sea. Keep the device at least 500 meters away from the seaside and do not face it toward the wind from the sea.
 - The installation site should be free from water flooding, seepage, dripping, or condensation. The installation site shall be selected according to network planning and features of communications device, and considerations such as climate, hydrology, geology, earthquake, electric power, and transportation.
-

Caution

- Please follow the correct methods described in the installation guide to install and remove the device.
-

2.1.2 Handling Safety

- Prevent the device from being frequently handled.
- Cut off all power supplies and unplug all power cords before you move or handle the device.

2.1.3 Electric Safety

Warning

- Improper or incorrect operations may cause a fire or electric shock and other accidents, thus causing severe even fatal damages to human bodies and device.
 - Direct or indirect contact with high voltage or mains power supply via wet objects may cause fatal dangers.
 - Please observe local regulations and specifications when performing electric operations. Only personnel with relevant qualifications can perform such operations.
 - Please carefully check for any potential danger in the working area, for example, damp/wet ground or floor.
 - Find out the location of the emergency power supply switch in the room before installation. First cut off the
-

power supply in case of an accident.

- Be sure to make a careful check before you shut down the power supply.
- Do not place the device in a damp/wet location. Do not let any liquid enter the device.
- Keep the device far away from the grounding or lightning protection devices of power device.
- Keep the device away from high-power radio stations, radar stations, and high-frequency high-current devices.

2.2 Installation Environment Requirements

To ensure normal operation and a prolonged useful life of the device, the installation site must meet the following requirements.

2.2.1 Environment Requirements

- Install the device in a well-ventilated environment. If it is installed in a closed room, make sure there is a good cooling system.
- Make sure the site is sturdy enough to support the device and its accessories.
- Make sure the site has enough space for installing the device and leave sufficient space around the device for ventilation.

2.2.2 Ventilation Requirements

For proper ventilation, leave sufficient space around the device.

2.2.3 Temperature/Humidity Requirements

To ensure the normal operation and prolonged service life of the device, maintain an appropriate temperature and humidity in the equipment room. The equipment room with too high or too low temperature and humidity for a long period may damage the device.

- In an environment with high relative humidity, the insulating material may have bad insulation or even leak electricity and sometimes the materials may suffer from mechanical performance change and metallic parts may get rusted.
- In an environment with low relative humidity, the insulating strip may dry and shrink, and static electricity is prone to occur and damage the internal circuits of the device. In an environment with high temperature, the device is subjected to even greater harm, as its performance may degrade significantly and its useful life may be shortened in the case of long-term exposure that expedites the aging process.

Table 2-1 Temperature and Humidity Requirements

Operating Temperature	Operating Humidity:
-30°C to 55°C (-22°F to 131°F)	5% to 95% RH (non-condensing)

2.2.4 Waterproof Requirements

IP65 (Specific Direction)

2.2.5 Anti-interference Requirements

- Take interference prevention measures for the power supply system.
- Keep the device far away from the grounding or lightning protection devices of power device.
- Keep the device far away from high-power radio stations, radar stations, and high-frequency high-current devices.

2.3 Tools

Table 2-2 Tools

Common Tools	Phillips screwdriver, hex screwdriver, related copper and fiber cables, bolts, diagonal pliers, cable ties
Special Tools	Anti-static glove, stripping pliers, crimping pliers, crimping pliers for the crystal head, wire cutter, waterproof tape
Meter	Multimeter
Related devices	PC, screen and keyboard

Note

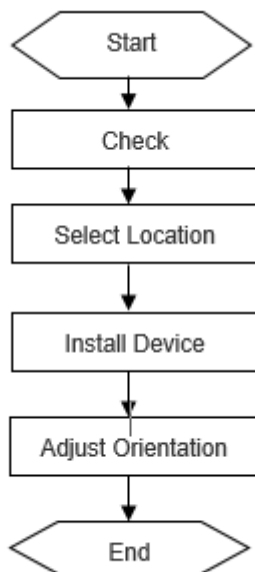
- The installation tools are not included in the scope of delivery and should be purchased separately.

3 Installing the Device

⚠ Caution

- Before installing the device, make sure you have carefully read the requirements described in Chapter 2.
-

3.1 Installation Procedure



3.2 Preparing

Carefully plan and arrange the installation location, networking mode, power supply, and cabling before installation. Confirm the following requirements before installation: The installation position provides sufficient space for heat dissipation.

- The installation position meets the temperature and humidity requirements of the device.
- The power supply and required current are available in the installation position.
- The selected power supply modules meet the system power requirement.
- The network cables have been deployed in the installation position.
- The installation site meets all described requirements.
- The device meets the customers' requirements.

3.3 Precautions

It is recommended to mount the device on a pole with a diameter ranging from 35 mm to 89 mm.

Otherwise, you need to prepare a hose clamp of another model. The hose clamp should be at least 2.5 mm thick.

- Please make sure the installation site meets the requirement in [Chapter 2.2.1](#).
- Please use the 24 V PoE power adapter (Pin 4 and 5 connect to the positive post. Pin 7 and 8 connect to the negative post) delivered with the device or use a power adapter of the same specification.
- The PoE adapter supports power supply over a 100-meter network cable. Before connecting the network cable, make sure that the power supply module is off.
- Make sure that the connector of the power module is fully seated.

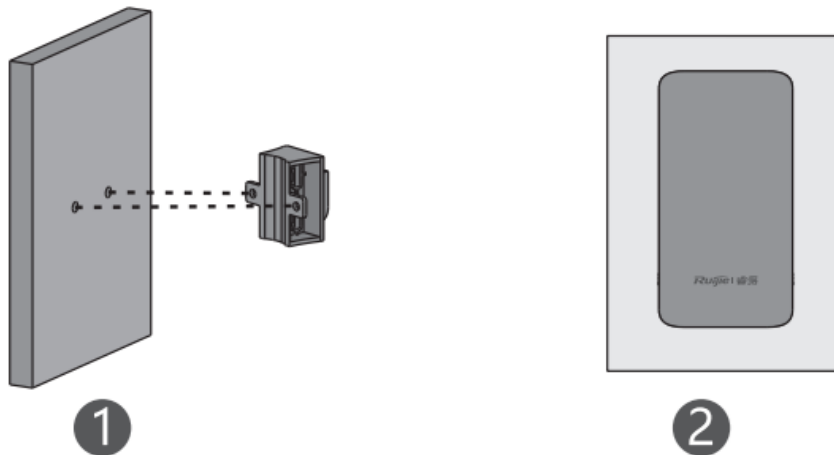
3.4 Mounting the Device

Caution

- It is recommended to install the device where you can get the optimal coverage.
- The image shown here is for indicative purpose only. The actual product may differ.

3.4.1 Wall Mounting

Figure 3-1 Wall Mounting

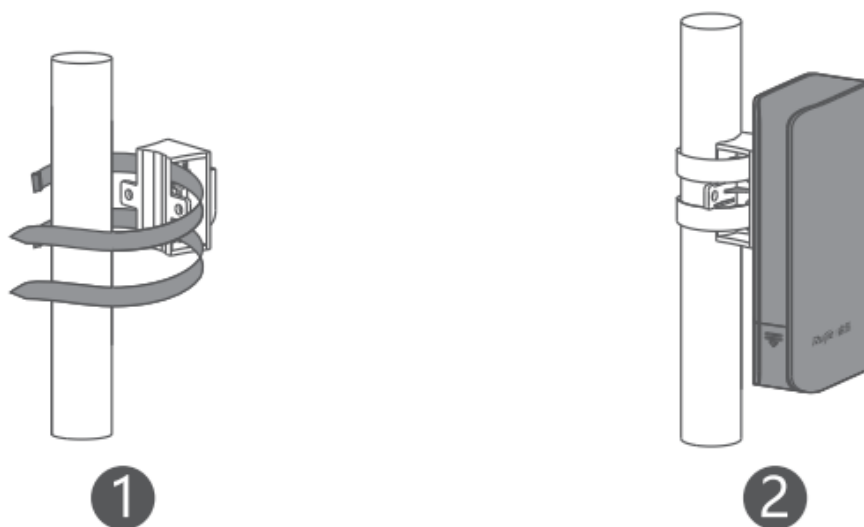


Ensure the network cable is connected in advanced.

1. Secure the mounting bracket on the wall using wall anchors and screws.
2. Install the device to the mounting bracket.

3.4.2 Pole Mounting

Figure 3-2 Pole Mounting

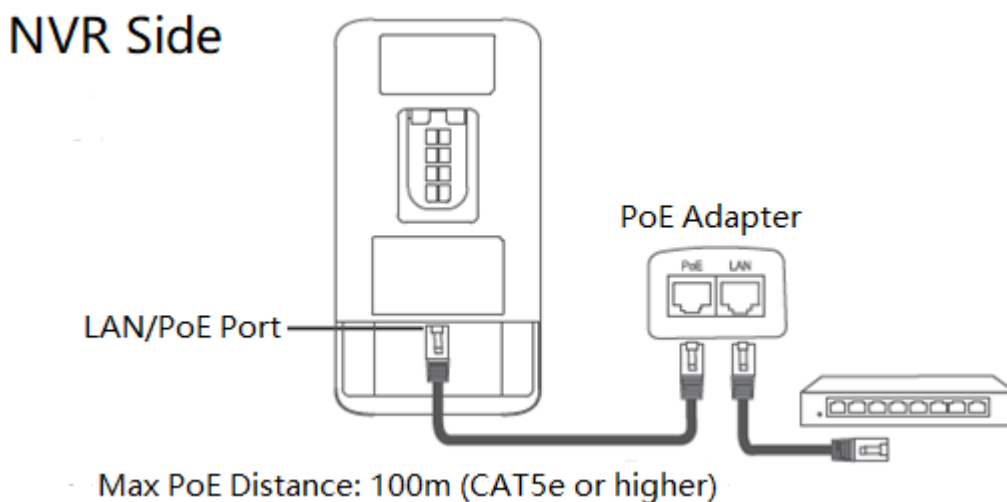


1. Secure the mounting bracket to the pole by threading two clamps through the mounting bracket.
2. Install the device to the mounting bracket.

3.5 Connecting Cables

Select a cable (CAT5e or higher) according to the distance between the wireless bridge and the PSE. Plug one end of the cable into the PoE port of the PoE adapter and plug the other end into the LAN port of the device. Connect the LAN port of the PoE adapter to the server or camera. Plug the PoE adapter into 220 V power socket. Or you can connect the DC port of the device to the 12 VDC adapter, and connect the LAN port of the device to the server or camera.

Figure 3-3 Connecting Cables



Warning

- Remember to install the bottom cover for waterproof and dustproof purpose.

- Please do not use a switch or a PoE adapter of another model. Otherwise, the device may be damaged.
-

3.6 Verifying Installation

Checking the Device

- Verify if the external power supply matches the specification.
- Verify that the device has been fastened and will not move or tilt.

Checking the Power Supply

- Make sure all power cables are properly connected.
- Make sure the device is operational after power-on.

4 Verifying Operating Status

4.1 Setting up Configuration Environment

Power on the device via 12 VDC or 24 V/0.6 A non-standard PoE power supply. Make sure all power cables are properly connected and meet the safety requirement.

4.2 Checking Environment before/after Power-on

1. Before power-on, check the following items:
 - Verify that the power supply is properly connected.
 - Verify that the input voltage matches the specification.
2. After power-on, check the following item (Recommended):
 - Check the indicator status.

5 Monitoring and Maintenance

5.1 Monitoring

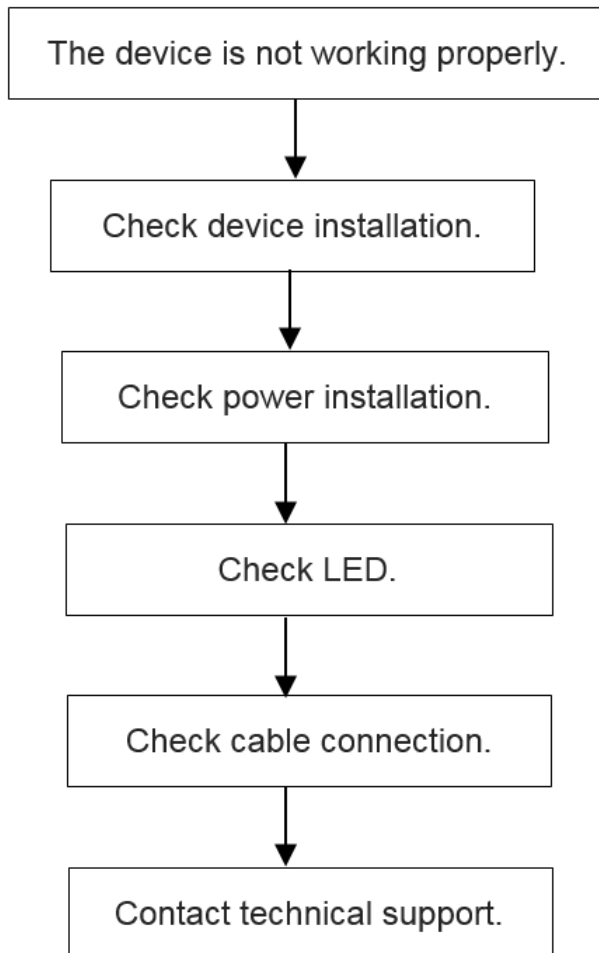
When the RG-EST310 V2 is running, you can monitor the device status by observing the indicator.

5.2 Maintenance

If a hardware error occurs, please contact Ruijie Reyee Technical support for help.

6 Troubleshooting

6.1 General Troubleshooting Procedure



7 Appendix A Connectors and Media Description

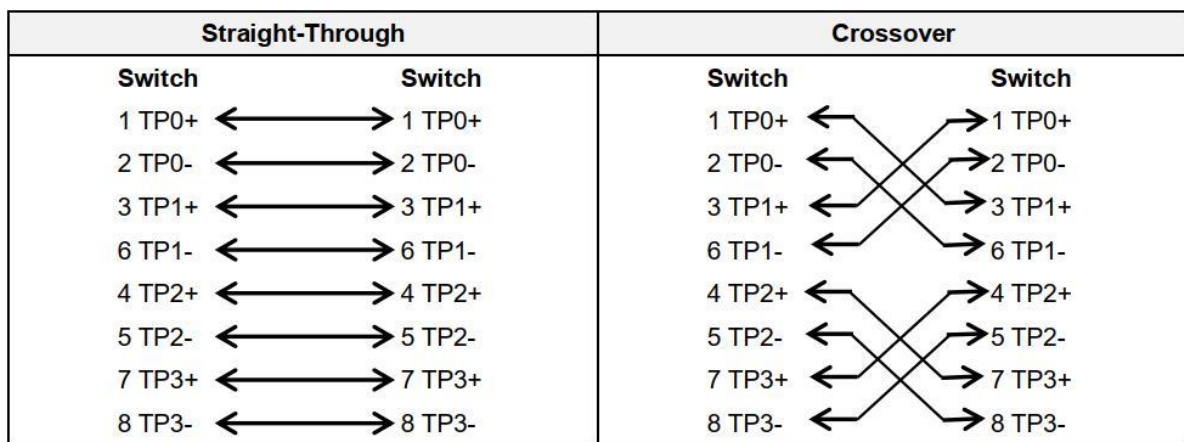
1000BASE-T/100BASE-TX/10BASE-T

The 1000BASE-T/100BASE-TX/10BASE-T is a 10/100/1000 Mbps auto-negotiation port that supports auto MDI/MDIX.

Compliant with IEEE 802.3ab, 1000BASE-T requires Category 5e 100-ohm UTP or STP (STP is recommended) with a maximum distance of 100 meters (328 feet).

1000BASE-T requires all four pairs of wires be connected for data transmission, as shown in Figure 7-1.

Figure 1-1 Figure 7-1 1000BASE-T Connection



10BASE-T uses Category 3, 4, 5 100-ohm UTP/STP and 1000BASE-T uses Category 5 100-ohm UTP/STP for connections. Both support a maximum length of 100 meters. Figure 7-2 shows 100BASE-TX/10BASE-T pin assignments.

Figure 1-2 Figure 7-2 100BASE-TX/10BASE-T Pin Assignments

Pin	Socket	Plug
1	Input Receive Data+	Output Transmit Data+
2	Input Receive Data-	Output Transmit Data-
3	Output Transmit Data+	Input Receive Data+
6	Output Transmit Data-	Input Receive Data-
4,5,7,8	Not used	Not used

Figure 7-3 shows wiring of straight-through and crossover cables for 100BASE-TX/10BASE-T.

Figure 1-3 Figure 7-3 100BASE-TX/10BASE-T Connection

