

User Manual

Product Overview

The RG-RAP2260 is a dual-radio ceiling-mounted wireless access point (AP) with one 2.5GE port, delivering an access rate of up to 3000 Mbps per device. The AP is designed by Ruijie Networks for indoor Wi-Fi coverage scenarios within medium- and large-sized areas. RG-RAP2260 adopts either 802.3at standard PoE power supply or local 12 V DC adapter power supply. Compliant with IEEE 802.11a/b/g/n/ac/ax, the device can simultaneously work in the 2.4 GHz and 5 GHz bands. RG-RAP2260 also supports dual-stream MU-MIMO and provides an access rate of up to 574 Mbps at 2.4 GHz and 2402 Mbps at 5 GHz with a high throughput of up to 2976 Mbps per device. The AP provides one 2.5GE port and one GE port, making it possible to connect a camera or an Ethernet switch for varied service networking needs.

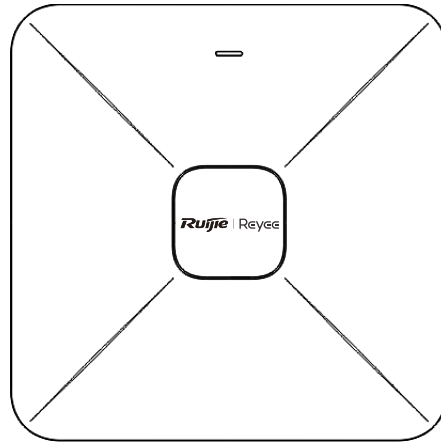
Package Contents

Package Contents (The Ethernet cables are customer-supplied.)

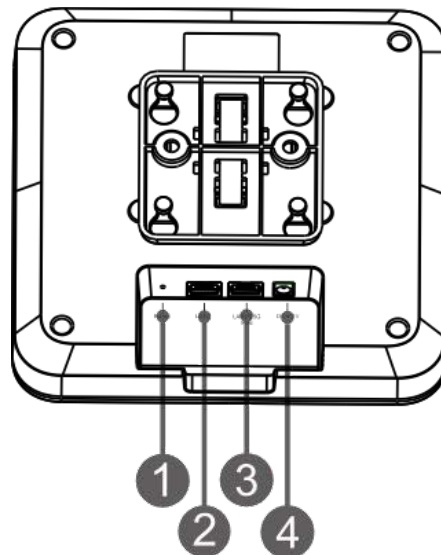
Item	Quantity
Access Point	1
Mounting Bracket	1
Phillips Pan Head Screw	2
Wall Anchor	2
User Manual	1
Warranty Card	1
Alignment Sticker	1

Product Appearance

Front Panel



Rear Panel



1. Reset Button

2. LAN2 Port

3. LAN1/2.5G/PoE Port

4. 12 V DC Input Plug

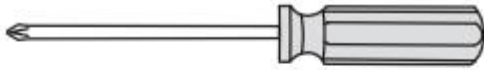
Caution:

1. Please use the DC power adapter with specifications (12 V/2 A) recommended by Ruijie. The power adapter is customer-supplied.
2. If the AP adopts PoE power supply, connect the LAN1/2.5G/PoE port on the AP to the PoE-capable port on a switch or a PoE device with an Ethernet cable. Make sure that the device connected is compliant with IEEE 802.3at.

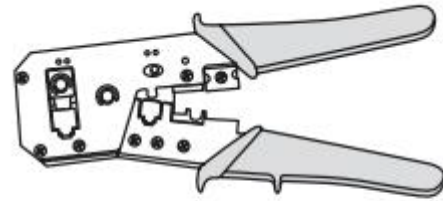
Hardware Specifications

Specifications	Description
Dimensions (W x D x H)	194 mm x 194 mm x 45.1 mm (7.64 in. x 7.64 in. x 1.78 in.) (excluding brackets)
Max Throughput	2.4 GHz: up to 574 Mbps 5 GHz: up to 2402 Mbps Up to 2.976 Gbps per AP
Operating Bands	802.11b/g/n/ax: 2.4 GHz to 2.4835 GHz 802.11a/n/ac/ax: 5.150 GHz to 5.350 GHz, 5.470 GHz to 5.725 GHz, 5.725 GHz to 5.850 GHz
Antenna	Built-in omnidirectional antenna
Service Ports	One 10/100/2500M BASE-T Ethernet port (PoE-capable) One 10/100/1000M BASE-T Ethernet port
Restart/Restore Factory Settings	Support
LED	One LED (blue)
Power Supply	Adapter: DC 12 V/2 A (optional) Caution: The power adapter is an optional accessory with the inner diameter of 2.1 mm (0.08 in.), the outer diameter of 5.5 mm (0.22 in.) and the depth of 10 mm (0.39 in.). PoE: IEEE 802.3at-compliant
Max Power Consumption	18 W
Temperature	Operating temperature: 0°C to 40°C (32°F to 104°F)
	Storage temperature: -40°C to 70°C (-40°F to 158°F)
Humidity	Operating humidity: 5% to 95% RH (non-condensing)
	Storage humidity: 5% to 95% RH (non-condensing)
Weight	≤ 0.65 kg (1.43 lbs, excluding brackets)
Color	Warm White

Tools (Customer-supplied)



Phillips Screwdriver

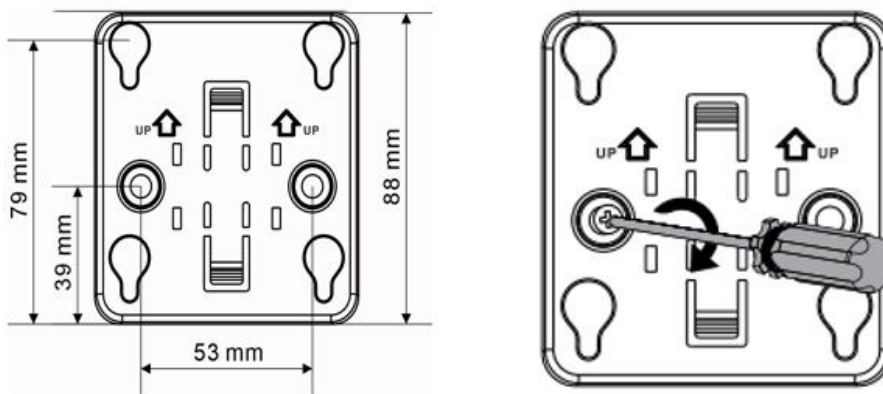


Crimping Plier

Mounting the AP

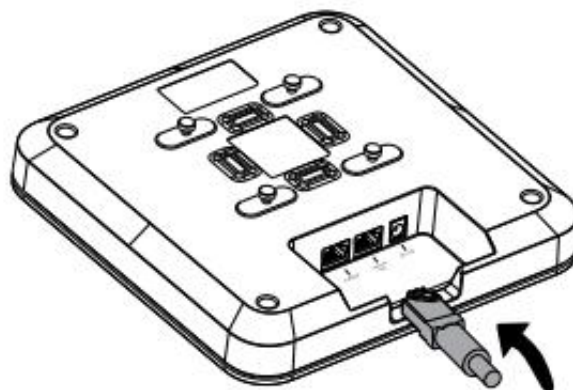
1. Secure the mounting bracket on the ceiling or wall with the provided screws. The center-to-center distance between the two holes is 53 mm (2.09 in.).

Figure 1-1 Securing the Mounting Bracket on the Ceiling/Wall



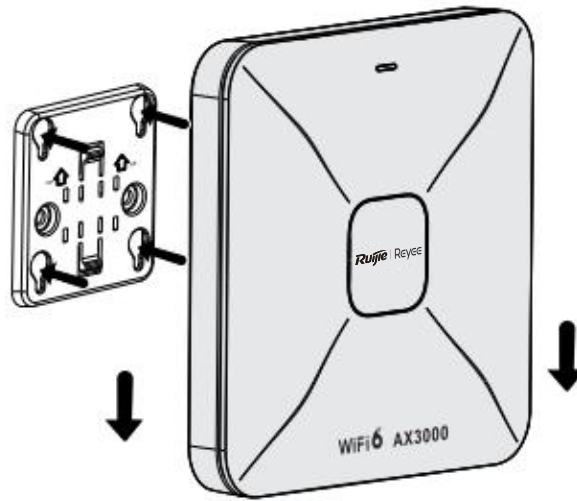
2. Connect the Ethernet cable to the LAN port on the rear panel of the AP (The LAN1/2.5G/PoE port is PoE-capable).

Figure 1-2 Connecting the Ethernet Cable to the LAN Port



3. Align the square feet on the rear of the AP to the mounting holes on the bracket. Slide the AP into the holes until it clicks into place.

Figure 1-3 Securing the AP on the Mounting Bracket



LED and Button

Item	Status	Description
LED	Solid blue	The AP is operating normally. No alarm occurs.
	Off	The AP is NOT receiving power.
	Fast flashing	The device is starting up.
	Slow flashing (at 0.5 Hz):	The network is unreachable.
	Flashing twice in succession	1. The AP is restoring the factory settings. 2. The AP is upgrading the software. Caution: In this case, please do not power off the device.
	One long flash followed by three short flashes.	Other faults occur.
Reset Button	Press for less than 2s	The device is restarting.
	Press for 2s to 5s	The device does not respond.
	Press for more than 5s	The device restores to the factory settings.

Method 1 (Recommended)

Scan the QR code in the manual or on the device to download the Ruijie Reyee App. Perform the intelligent networking and complete the network configuration based on the instructions on the App.



Method 2

Connect the device to the SSID (If multiple devices exist in the network, use the SSID @Ruijie-mxxxx by default. If only one device exists in the network, use the SSID @Ruijie-sxxxx.). You can also connect the PC to the LAN port of the device with an Ethernet cable and visit <http://10.44.77.253> by browser for network configuration. The default password is admin. You are advised to configure the IP address of the PC as 10.44.77.250.