

EKDL-S31P8T46T2



Key Features

NVR301-08S3-P8

- Support Ultra 265/H.265/H.264 video formats
- 8-channel input
- Plug & Play with 8 independent PoE network interfaces
- Third-party IP cameras supported with ONVIF conformance: Profile S, Profile G, Profile T
- Support 1-ch HDMI, 1-ch VGA
- HDMI and VGA simultaneous output
- Up to 8MP resolution recording
- 1 SATA HDD
- Support cloud upgrade

EC-T4F28M-DL

- Day/night functionality
- Smart dual light, up to 30 m (98 ft) IR/warm light distance
- 2D/3D DNR (Digital Noise Reduction)
- Ultra 265, H.265, H.264, MJPEG
- Built-in Mic
- ROI (Region of Interest)
- ONVIF Conformance
- Wide temperature range: -30°C ~ +60°C (-22°F ~ 140°F)
- Wide voltage ranges of ±25%
- IP67

Specifications

| Model | NVR301-08S3-P8 |
|---------------------------|---|
| Video/Audio Input | |
| IP Video Input | 8-ch |
| Network | |
| Incoming Bandwidth | 64Mbps |
| Outgoing Bandwidth | 48Mbps |
| Remote Users | 128 |
| Protocols | TCP/IP, P2P, UPnP, NTP, DHCP, PPPoE, HTTP, HTTPS, DNS, DDNS, SNMP, SMTP |
| Video/Audio Output | |
| HDMI/VGA Output | HDMI: 3840x2160/30Hz, 1920x1080p/60Hz, 1920x1080p/50Hz, 1600x1200/60Hz, 1280x1024/60Hz, 1280x720/60Hz, 1024x768/60Hz VGA: 1920x1080p/60Hz, 1920x1080p/50Hz, 1600x1200/60Hz, 1280x1024/60Hz, 1280x720/60Hz, 1024x768/60Hz |
| Recording Resolution | 4K/5MP/4MP/3MP/1080p/960p/720p/D1/2CIF/CIF |
| Audio Output | 1-ch, RCA |
| Audio Compression | G.711A, G.711U |
| Synchronous Playback | 8-ch |
| Corridor Mode Screen | 3/4/5/7/9 |
| Decoding | |
| Decoding format | Ultra 265/H.265/H.264 |
| Liveview/Playback | 4K/5MP/4MP/3MP/1080p/960p/720p/D1/2CIF/CIF |
| Capability | 1 x 4k@30, 1 x 5MP@30, 2 x 4MP@30, 4 x 3MP@25, 4 x 1080p@30, 8 x 720p@30 |
| Hard Disk | |
| SATA | 1 SATA interface |

| | |
|-----------------------------|--|
| Capacity | up to 8TB for each disk |
| Smart | |
| VCA Detection by Camera | Face detection, Intrusion detection, Cross line detection, Audio detection, Enter Area, Leave Area |
| VCA Search | Face Search, Behavior Search |
| External Interface | |
| Network Interface | 1 RJ-45 10M/100M self-adaptive Ethernet Interface |
| USB Interface | Rear panel: 2 x USB2.0 |
| PoE | |
| Interface | 8 RJ45 10M/100M self-adaptive Ethernet Interface |
| Max Power | Max 30W for single port Max 75W in total |
| Supported Standard | IEEE 802.3at, IEEE 802.3af |
| General | |
| Power Supply | 52V DC Power Consumption: ≤9 W (without HDD) |
| Working Environment | -10°C ~ +55°C (+14°F ~ +131°F), Humidity ≤ 90% RH (non-condensing) |
| Dimensions (W×D×H) | 260mm × 240mm × 46 mm (10.2" × 9.4" × 1.8") |
| Weight (without HDD) | ≤1.1kg (2.43lb) |
| Model | EC-T4F28M-DL |
| Camera | |
| Resolution | 4MP |
| Sensor | 1/3.0" CMOS |
| Min. Illumination | Color: 0.01 lux (F1.6, AGC ON) 0 lux with IR |
| Day/Night | IR-cut filter with auto switch (ICR) |
| Shutter | Auto/Manual, 1 ~ 1/100000s |
| Adjustment angle | Pan: 0° ~ 360°, Tilt: 0° ~ 80°, Rotate: 0° ~ 360° |
| S/N | >52dB |
| WDR | DWDR |
| Lens | |
| Lens type | 2.8mm |
| Iris Type | Fixed |
| Iris | F1.6 |
| Field of View (H) | 97.0° |
| Field of View (V) | 52.2° |
| Field of View (D) | 107.5° |
| DORI | |
| DORI Distance (Lens) | 2.8mm |
| DORI Distance (Detect) | 63.0m(206.7ft) |
| DORI Distance (Observe) | 25.2m(82.7ft) |
| DORI Distance (Recognize) | 12.6m(41.3ft) |
| DORI Distance (Identify) | 6.3m(20.7ft) |

Illuminator

| | |
|-----------------------------------|-------------|
| Illumination Distance(IR) | 30m |
| Illumination Distance(Warm Light) | 30m |
| Wavelength | 850nm |
| IR On/Off Control | Auto/Manual |

Video

| | |
|--------------------|---|
| Video Compression | Ultra 265; H.265; H.264; MJPEG |
| H.264 code profile | Baseline profile, Main profile, High profile |
| Frame Rate | Main Stream: 4MP (2560*1440), Max 25fps; 3MP (2304*1296), Max 30fps; 1080P (1920*1080), Max 30fps; 720P (1280*720), Max 30fps Sub Stream: D1 (720*576), Max 30fps; 640*360,Max 30fps; 2CIF(704*288), Max 30fps; CIF(352*288), Max 30fps; |
| Video Bit Rate | 128 Kbps~6144 Kbps |
| U-code | Support |
| OSD | Up to 4 OSDs |
| Privacy Mask | Up to 4 areas |
| ROI | Up to 8 areas |
| Video stream | Dual streams |

Image

| | |
|-------------------------|---|
| White Balance | Auto; Outdoor; Fine Tune; Sodium Lamp; Locked; Auto2 |
| Digital noise reduction | 2D/3D DNR |
| Smart IR | Support |
| Flip | Normal; Flip Vertical; Flip Horizontal; 180°; 90°Clockwise; 90°Anti-clockwise |
| Dewarping | N/A |
| HLC | Support |
| BLC | Support |
| Defog | Digital Defog |

Events

| | |
|--------------------|---|
| Behavior Detection | Cross line, intrusion(based on human body detection), Motion detection, tampering alarm |
| General Function | Watermark; IP Address Filtering; Access Policy; ARP Protection; RTSP Authentication; User Authentication; HTTP authentication |

Audio

| | |
|-------------------|----------------|
| Audio Compression | G.711U; G.711A |
| Audio Bitrate | 64 Kbps |
| Two-way Audio | N/A |
| Suppression | Support |
| Sampling Rate | 8KHZ |

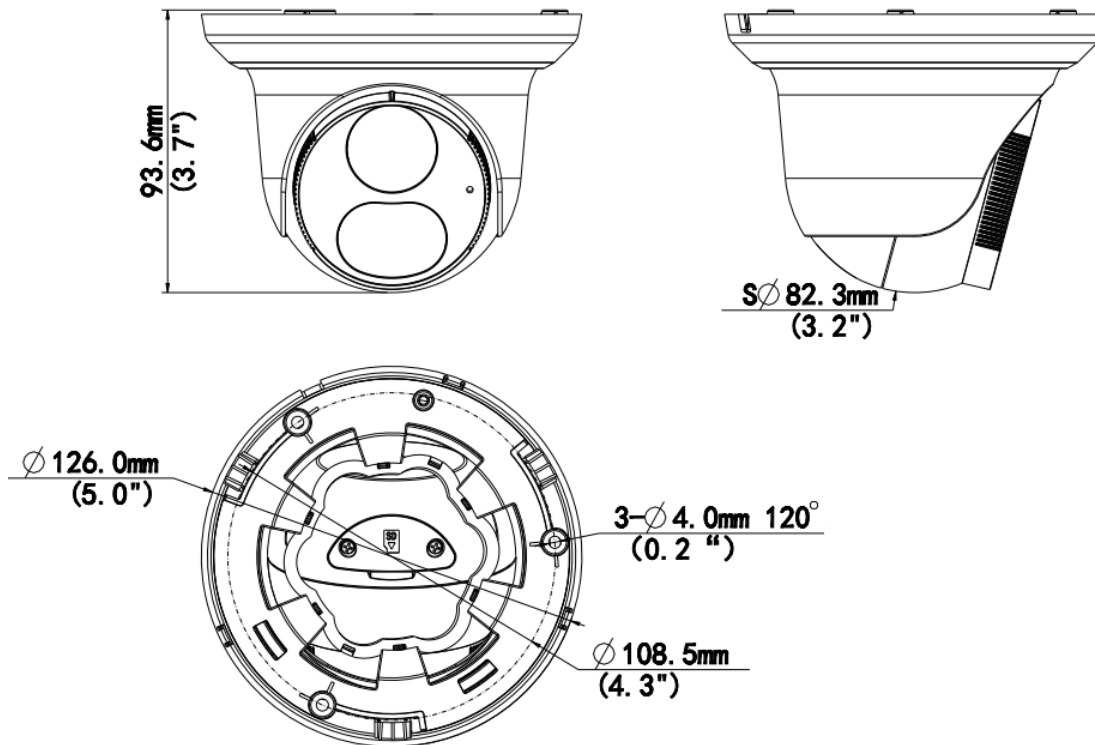
Storage

| | |
|-----------------|------------------------|
| Edge Storage | Micro SD, up to 128 GB |
| Network Storage | ANR; NAS(NFS) |

Network

| | |
|------------------------|--|
| Protocols | IPv4; IGMP; ICMP; ARP; TCP; UDP; DHCP; RTP; RTSP; RTCP; RTMP; DNS; DDNS; NTP; FTP; UPnP; HTTP; HTTPS; SMTP; QoS; SSL/TLS; SNMP |
| Compatible Integration | ONVIF (Profile S, Profile G, Profile T); API; SDK |
| User/Host | Up to 32 users, 2 user levels: administrator and common user |
| Security | Password protection; Strong password; HTTPS encryption; Export operation logs; Basic and digest authentication for RTSP; Digest authentication for HTTP; TLS 1.2; WSSE and digest authentication for ONVIF |
| Client | UNV-Link; UNV-Link Pro; EZStation |
| Web Browser | Plug-in required live view: IE 10 and above, Chrome 45 and above, Firefox 52 and above, Edge 79 and above; Plug-in free live view: Chrome 57.0 and above, Firefox 58.0 and above, Edge 16 and above |
| Interface | |
| Audio I/O | N/A |
| Alarm I/O | N/A |
| Serial Port | N/A |
| Built-in Mic | Support |
| Built-in Speaker | N/A |
| WIFI | N/A |
| Network | 1 * RJ45 10M/100M Base-TX Ethernet |
| Video Output | N/A |
| Certification | |
| EMC | CE-EMC (EN 55032, EN 61000-3-3, EN IEC 61000-3-2, EN 50130) FCC (FCC 47 CFR part15 B) |
| Safety | CE LVD (EN 62368-1) UL/CUL (UL 62368-1, CAN/CSA C22.2 No. 62368-1) |
| Environment | CE-RoHS (2011/65/EU;(EU)2015/863); WEEE (2012/19/EU); |
| Protection | IP67 (IEC 60529) |
| General | |
| Power | DC 12V±25%, PoE (IEEE 802.3af) Power consumption: Max 2.8W |
| Power Interface | ∅ 5.5mm coaxial power plug |
| Dimensions | Φ 118 x 98mm (Φ 4.6” x 3.9”) |
| Weight | 0.29kg (0.64lb) |
| Material | Metal + Plastic |
| Working Environment | -30 °C ~ 60 °C (-22 °F ~ 140 °F), Humidity: ≤95% RH (non-condensing) |
| Storage Environment | -30 °C ~ 60 °C (-22 °F ~ 140 °F), Humidity: ≤95% RH (non-condensing) |
| Surge protection | 4KV |
| Reset button | N/A |

Dimensions



Zhejiang Uniview Technologies Co., Ltd.

No. 369, Xietong Road, Xixing Sub-district, Binjiang District, Hangzhou City, 310051, Zhejiang Province, China

Email: overseasbusiness@uniview.com; globalsupport@uniview.com

<http://www.uniview.com>

©2024 Zhejiang Uniview Technologies Co., Ltd. All rights reserved.

*Product specifications and availability are subject to change without notice.

*Despite our best efforts, technical or typographical errors may exist in this document. Uniview cannot be held responsible for any such errors and reserves the right to change the contents of this document without prior notice.