

4*5MP ColorHunter MultiView Wise-ISP VF IR Dome Network Camera

IPC8645EA-ADZKM-I1



Features

- One IP with four channels
- Support multiple intelligent functions, different function of each channel can be enabled at the same time to satisfy various analysis requirement
- Pan, tilt, rotation angle of each lens can be adjusted independently, suitable for more complicated scenes
- 4 channel video output, 2880*1620@30fps in the main stream of each channel, provide high definition image
- Ultra 265, H.265, H.264, MJPEG
- Smart intrusion prevention, support false alarm filtering, realize accurate detection based on specific target
- People Counting, support people flow counting and crowd density monitoring, suitable for different statistical scenarios
- LightHunter technology ensures ultra-high image quality in low illumination environment
- Up to 130 dB Optical WDR (Wide Dynamic Range)
- IP67 ingress & IK10 protection

Specifications

Model	IPC8645EA-ADZKM-I1
Camera	
Sensor	1/2.7" CMOS
Min. Illumination	Colour: 0.002 lux (F1.2, AGC ON) 0 lux with IR on
Day/Night	IR-cut filter with auto switch (ICR)
WDR	130 dB
Adjustment Angle	Pan: 0° ~ 360°, Tilt: 0° ~ 65°, Rotate: 0° ~ 355°
S/N	>56 dB
Lens	
Focal Length	2.7 to 13.5 mm
Optical Zoom	5X
Iris	F1.2 * 4
Field of View (H)	(W)110.3°~(T)31°
Field of View (V)	(W)57.1°~(T)17.5°
Field of View (D)	(W)130.2°~(T)67.4°
Iris Type	Fixed
DORI	
DORI Distance (Detect)	70.9m~247.5m(232.5ft~812.0ft)
DORI Distance (Observe)	28.4m~99.0m(93.0ft~324.8ft)
DORI Distance (Recognize)	14.2m~49.5m(46.5ft~162.4ft)
DORI Distance (Identify)	7.1m~24.8m(23.3ft~81.2ft)
Illuminator	
Illumination Distance (IR)	50 m (164.0 ft)
IR On/Off Control	Auto/Manual
Intelligent	
Exception Detection	Scene Change, Defocus Detection, Object Removed, Object Left Behind
Smart Intrusion Prevention	Cross line detection, intrusion detection, enter area detection, leave area detection (support false alarm filtering and the classification of human, non-motor vehicle and vehicle)

People Counting	Support People Flow Counting and Crowd Density Monitoring
Events	
Motion Detection	Support
Tampering Detection	Support
Audio Detection	Support
UMD (Ultra Motion Detection)	Support
Image	
Flip	Normal, Flip Vertical, Flip Horizontal, 180°, 90° Clockwise, 90° Anti-clockwise
Defog	Digital Defog
Network	
Protocols	IPv4, IPv6, IGMP, ICMP, ARP, TCP, UDP, DHCP, PPPoE, RTP, RTSP, RTCP, RTMP, DNS, DDNS, NTP, FTP, UPnP, HTTP, HTTPS, SMTP, 802.1x, SNMP, QoS, SSL/TLS, SSH
Compatible Integration	ONVIF (Profile S, Profile G, Profile T, Profile M), API, SDK
User/Host	Up to 32 users. 3 user levels: administrator, common user and operator
Security	Password protection, Strong password, HTTPS encryption, Export operation logs, Basic and Digest Authentication for RTSP, Digest Authentication for HTTP, TLS 1.2, WSSE and Digest Authentication for ONVIF
Web Browser	Plug-in required live view: IE 10+, Chrome 45+, Firefox 52+, Edge 79+, Plug-in free live view: Chrome 57+, Firefox 58+, Edge 16+
Storage	
Edge Storage	Micro SD, up to 512 GB
Network Storage	ANR, NAS (NFS)
Video	
Video Compression	Ultra 265, H.265, H.264, MJPEG
H.264 Code Profile	Baseline profile, Main profile, High profile

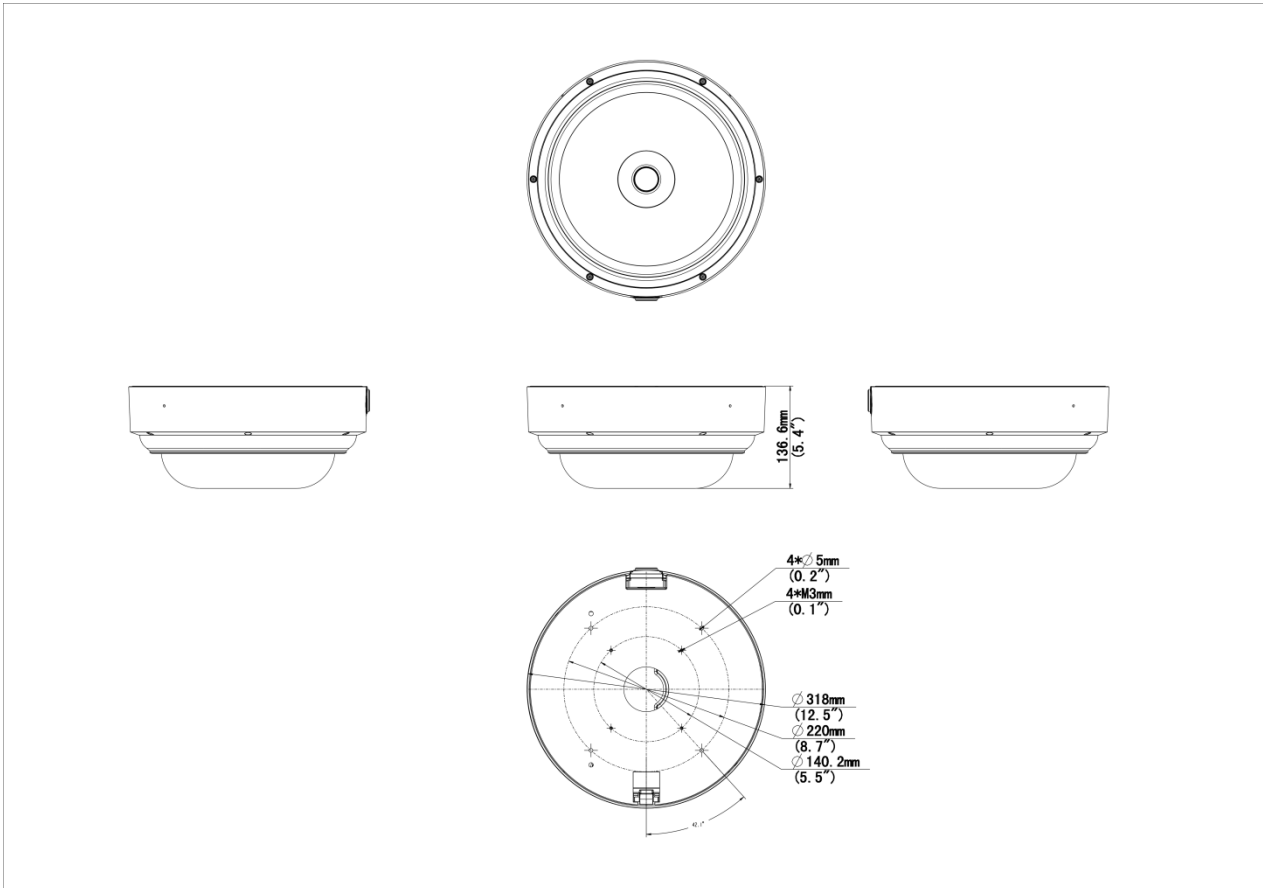
<p>Frame Rate-Main Stream</p>	<p>Channel * 4</p> <p>5MP (2880*1620), Max 30fps; 4MP (2688*1520), Max 30fps; 4MP (2560*1440), Max 30fps; 3MP (2304*1296), Max 30fps; 1080P (1920*1080), Max 30fps; 720P (1280*720), Max 30fps; D1 (720*576), Max 30fps; 640*360, Max 30fps; 2CIF(704*288), Max 30fps; CIF(352*288), Max 30fps;</p>
<p>Frame Rate-Sub Stream</p>	<p>Channel * 4</p> <p>1080P (1920*1080), Max 30fps; 720P (1280*720), Max 30fps; D1 (720*576), Max 30fps; 640*360, Max 30fps; 2CIF(704*288), Max 30fps; CIF(352*288), Max 30fps;</p>
<p>Frame Rate-Third Stream</p>	<p>Channel * 4</p> <p>D1 (720*576), Max 30fps; 640*360,Max 30fps; 2CIF(704*288), Max 30fps; CIF(352*288), Max 30fps;</p>

Frame Rate	<p>Channel * 4</p> <p>Main Stream:</p> <p>4MP (2880*1620), Max 30fps;</p> <p>4MP (2688*1520), Max 30fps;</p> <p>4MP (2560*1440), Max 30fps;</p> <p>3MP (2304*1296), Max 30fps;</p> <p>1080P (1920*1080), Max 30fps;</p> <p>720P (1280*720), Max 30fps;</p> <p>D1 (720*576), Max 30fps;</p> <p>640*360, Max 30fps;</p> <p>2CIF(704*288), Max 30fps;</p> <p>CIF(352*288), Max 30fps;</p> <p>Sub Stream:</p> <p>1080P (1920*1080), Max 30fps;</p> <p>720P (1280*720), Max 30fps;</p> <p>D1 (720*576), Max 30fps;</p> <p>640*360, Max 30fps;</p> <p>2CIF(704*288), Max 30fps;</p> <p>CIF(352*288), Max 30fps;</p> <p>Third Stream:</p> <p>D1 (720*576), Max 30fps;</p> <p>640*360,Max 30fps;</p> <p>2CIF(704*288), Max 30fps;</p> <p>CIF(352*288), Max 30fps;</p>
Frame Rate Recommendation	<p>Channel * 4</p> <p>2880*1620@30fps+1080P@30fps+D1@30fps</p>
Video Bit Rate	128 Kbps ~ 16 Mbps * 4Channel
U-code	Support
ROI	Support
Video Stream	Triple streams
OSD	Up to 10 OSDs * 4 Channel
Privacy Mask	Up to 8 * 4Channel
Audio	
Audio Compression	G.711U, G.711A
Two-way Audio	Support
Sampling Rate	8 kHz
Interface	

Audio I/O	1 Input: impedance 1 k Ω , amplitude 2.5 V [p-p], 1 Output: impedance 600 Ω , amplitude 2.5 V [p-p]
Alarm I/O	3/2
Built-in Mic	Support
Network	1 \times RJ45 10 M/100 M/1000 M Base-TX Ethernet
Other	
Corridor Mode	Support
Certification	
Protection	IP67 (IEC 60529), IK10 (IEC 62262)
General	
Power	DC 24V \pm 25%, AC 24V \pm 25%, PoE (IEEE802.3bt)
Built-in DC12V Output	Support
Power Consumption	Max 31W
Power Interface	Wires with cold-pressed terminal
Dimensions	Φ 318 x 136.6 mm (Φ 12.52" x 5.38")(Φ x H)
Weight	4.77Kg(10.52lb)
Working Environment	-30 $^{\circ}$ C ~ 60 $^{\circ}$ C (-22 $^{\circ}$ F ~ 140 $^{\circ}$ F), Humidity: 5%~95% RH
Storage Environment	-40 $^{\circ}$ C ~ 70 $^{\circ}$ C (-40 $^{\circ}$ F ~ 158 $^{\circ}$ F), Humidity: 5%~95% RH
Surge Protection	6 KV

Dimensions

Aggregate product size diagram using "main model" as an example



Accessories

TR-UF45-K-IN

Four Eyes Multi-directional Camera Ceiling Mounting/Wall Mounting Adapter



TR-CE45-IN

Dome Indoor Ceiling Mounting Bracket



TR-WE45-B-IN

Dome Gooseneck Bracket



TR-WE45-A-IN

Long Wall Mounting Bracket for Dome



TR-UC08-A-IN

Dome Corner Mounting Bracket



TR-UC08-B-IN

Aluminium Alloy Corner Mounting Bracket



TR-UP08-A-IN

Dome Pole Mounting Bracket



TR-UP08-B-IN

Aluminium Alloy Pole Mounting Bracket

**Zhejiang Uniview Technologies Co., Ltd.**

No. 369, Xietong Road, Xixing Sub-district, Binjiang District, Hangzhou City, 310051, Zhejiang Province, China (Zhejiang) Pilot Free Trade Zone, China

Email: overseasbusiness@uniview.com; globalsupport@uniview.com

<http://www.uniview.com>

©2024-2025 Zhejiang Uniview Technologies Co., Ltd. All rights reserved.

*Product specifications and availability are subject to change without notice.

*Despite our best efforts, technical or typographical errors may exist in this document. Uniview cannot be held responsible for any such errors and reserves the right to change the contents of this document without prior notice.